



Model Name

Glass Pendant / DL-CGL14-9

Description

Decorative Light

Technical description

Image

Dimension

14.1 -

Dia=175mm

H=225mm

14.2 -

Dia=220mm

H=290mm

Frame

Glass

Color Tempertaure

4000K

Power

9W

Total Luminous Flux

630 lm

Efficacy

70 lm/W

IP rating

20

Color Rendering

≥80

Mounting

Pendant

Optics

E27 Holder

Dimming

NON-Dimmable

Operating Voltage

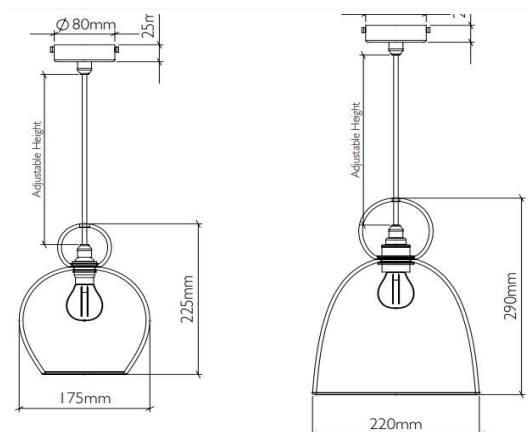
220-240 VAC

Standard Lifetime

L70 minimum at 50,000
burning hours



Dimension diagram



14.1

14.2

Remarks:-

Address: Plot #7 Saroorpur-Nangla Industrial Area,Ballabgarh-Sohna Road,Faridabad-121005

Email: info@sovitron.com